

PPC-172

17" Fanless Multi-touch Panel PC with Intel® Celeron® J1900 Processor



Features

- 17" TFT SXGA LED Panel with Projected Capacitive Touch Display
- Embedded Intel® Celeron® J1900 2.0 GHz Processor
- System Memory up to 8 GB DDR3L 1333 SDRAM
- Two-finger Touch Control while Wearing Gloves
- Internal SATA 2.5" HDD and mSATA Socket
- Panel and VESA Mounting

Applications

- Human Machine Interface (HMI)
- Factory / Manufacturing Automation
- ATM / Self-service / Kiosk Applications
- Vending Machine / Ticketing Machine

→ Packing List

Description
1 x PPC-172
1 x Power Adapter (AC-to-DC, 12 V @ 5 A, 60 W)
6 x Panel Mounting Screws

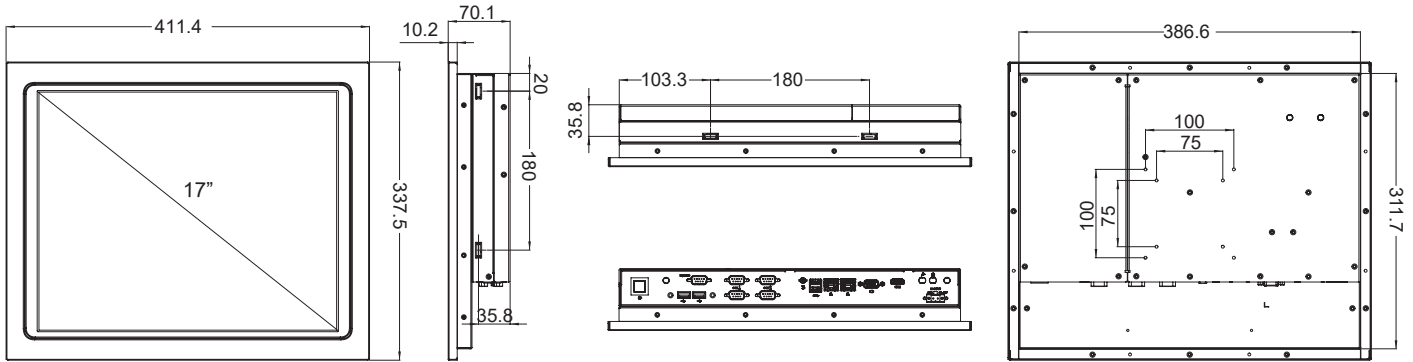
→ Optional Items

Part No.	Description
ACS-PS-US	Power Cable 3-pin, 180 cm, USA Type
ACS-PS-EU	Power Cable 3-pin, 180 cm, Euro Type
ACS-PS-CN	Power Cable 3-pin, 180 cm, China Type
ACS-100-STD	VESA Table Stand

→ Ordering Information

Part No.	Description
PPC-172P-A1	17" Fanless Projected Capacitive Touch Panel PC with Intel® Celeron® J1900 2.0 GHz Processor
PPC-172R-A1	17" Fanless 5-wire Resistive Touch Panel PC with Intel® Celeron® J1900 2.0 GHz Processor

→ Dimensions



→ Specifications

Cut out: 388.6 * 313.7mm

Model		PPC-172P	PPC-172R
Processor System	CPU	Intel® Celeron® Processor J1900	
	Frequency	Quad-Core up to 2.0 GHz	
	L2 Cache	2 MB	
	System Chipset	N/A	
	BIOS	UEFI	
Memory	Technology	DDR3L 1333 MHz SDRAM	
	Max. Capacity	8 GB	
	Socket	1 (204-pin SO-DIMM)	
Display	Panel Size	17" LED Panel	
	Resolution	1280 x 1024 (SXGA)	
	Viewing Angle	80 x 80 (H) x 60 x 80 (V)	
	Brightness	350 (cd/m ²)	
	Color Support	16.2M	
	Contrast Ratio	800:1	
	Response Time	30 (msec)	
	VGA	Up to 1920 x 1200	
	HDMI	HDMI 1.4a up to 1920 x 1200	
	Dual Display	LCD + VGA or LCD + HDMI	
Touchscreen	Touchscreen Type	Projected Capacitive	5-Wire Resistive
	Surface Hardness	7 Mohs	3 Mohs
	Durability	-	36 millions times
	Transparency	90% (±3%)	80% (±3%)
I/O Interface	USB	2 USB 3.0, 2 USB 2.0	
	Serial Port	4 COM (3 RS-232, 1 RS-232/422/485)	
	Digital I/O	8-pin Digital I/O (DB-9 connector)	
	Expansion	2 Mini PCIe (1 full-size Mini PCIe or mSATA, selected by jumper setting; 1 half-size Mini PCIe)	
Ethernet	Controller	Dual GbE, 10/100/1000 Mbps (Realtek RTL8111G-CG)	
Audio	Chipset	Realtek ALC662 High Definition Audio (HD)	
	Connector	Line out	
Storage	mSATA	Supports either mSATA or full-size Mini PCIe, selected by jumper setting	
	SATA II	1 Internal 2.5" HDD/SSD	
Power	Power Supply Voltage	Supports 9-36 V DC input (Phoenix Connector)	
	Power Adaptor	AC-to-DC, 12 V @ 5 A, 60 W	
	Power Consumption (Typical)	2.5 A @ 12 V (30 W)	
	Power Consumption (Max.)	3 A @ 12 V (36 W)	
	Battery	Lithium 3 V / 210 mAH	
Environment	Operating Temperature	0~50° C (32~122° F) w/ 2.5" SSD	
	Storage Temperature	-40~85° C (-40~185° F)	
	Humidity	5~95% @ 40° C, non-condensing	
	Vibration	5-500 Hz, 0.026 G ² /Hz, 2.16 Grms, X, Y, Z, 1 hour per axis	
	Certification	CE, FCC Class A	
General	Ingress Protection	IP54	
	Dimensions (L x W x H)	411.4 x 337.5 x 70.1 mm (16.2" x 13.29" x 2.76")	
	Weight	6.58 kg (14.48 lb)	6.50 kg (14.50 lb)
	Operating System	Windows 7/8.1/10, WES7-E/P, WE8S, Ubuntu 14.04	