



# TPC6000-C1852W-N

Industrial Panel PC



18.5"HD Fanless Industrial Panel PC  
Intel® Celeron™ Bay Trail J1900



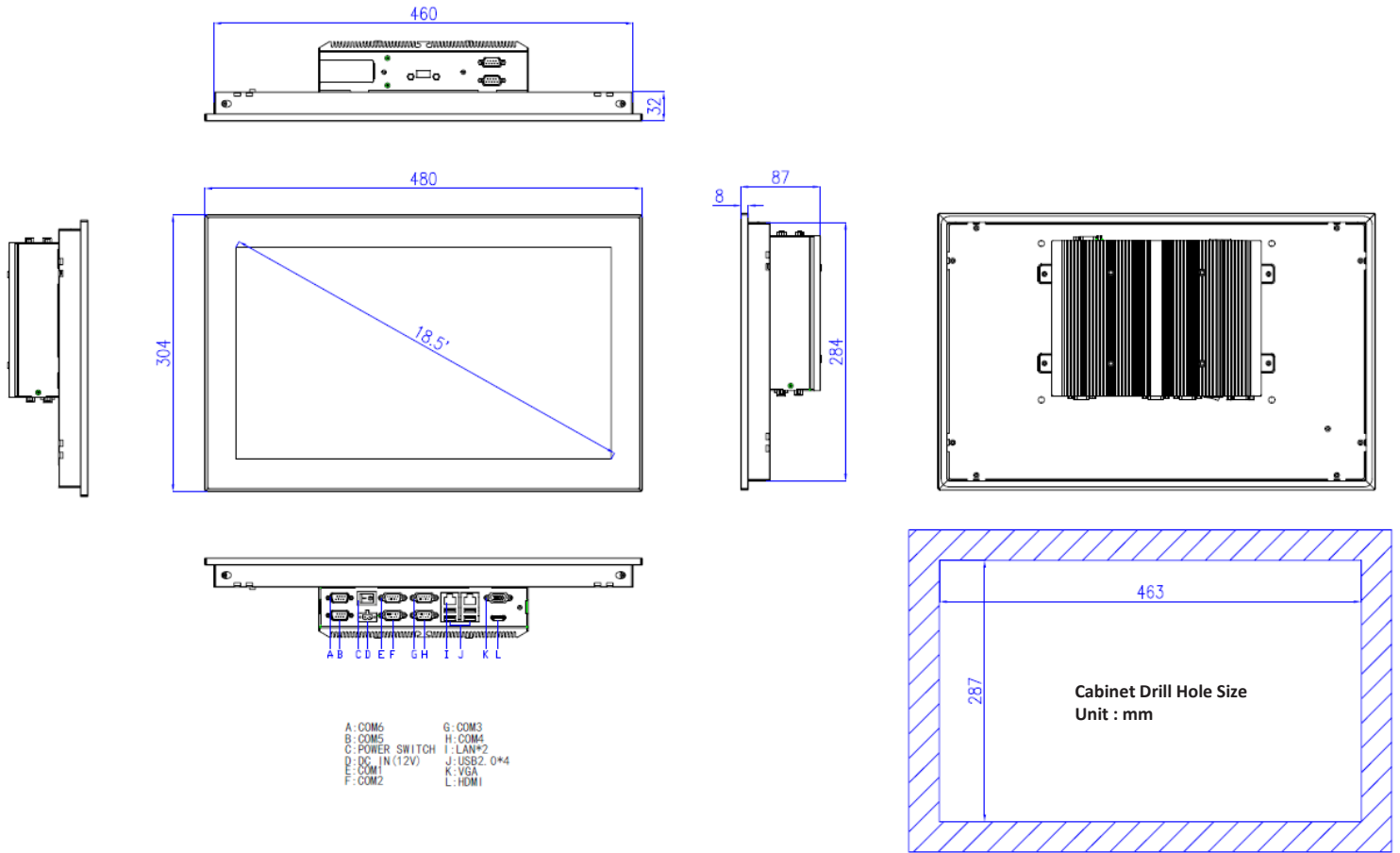
TPC6000-C1852W-N



## Specifications :

Processor	CPU	Intel® Bay Trail J1900
	Frequency	Quad core 2GHz
	L2 Cache	2MB
	Chipset	Intel Bay trail SOC
	Memory	1 x 204-pin SODIMM DDR3L-1333MHz support up to 8GB
	Storage Medium	1 x 2.5" SATA bay + 1 x mSATA
I/O	LAN	2 x Realtek RTL8111F 1000Mbps RJ-45 with surge protection, lightning protection design and 15KV ESD protection
	Audio	Realtek ACL662 Audio controller , built-in mono speaker(optional)
	USB	1 x USB3.0/2.0/1.1, 3 x USB2.0/1.1
	COM	1 x RS-232/485 (COM1), 5 x RS-232 (Optional 2xRS48,RS485 support automatic flow control )
	Expansion slot	1 x Mini-PCIe slot, extensible 3G,WIFI wireless card
	Rear I/O	VGA / HDMI / 2 x GLAN / 4 x USB / 6 x COM
Physical	Dimensions (W x H x D)	480mm x 304mm x 87mm (18.90" x 11.97" x 3.43")
	Drill Hole Size (W x H)	463mm x 287mm (18.23" x 11.30")
	NW	6.6kg
OS	OS	Windows 7, Windows 7, Windows8, Windows10, Ubuntu
	Power	DC 12V,support reverse polarity protection, +9~+30V (Option)
LCD	Input voltage	DC 12V,support reverse polarity protection, +9~+30V (Option)
	Maximum Power Dissipation	
	LCD Size	18.5" HD TFT
	Resolution	1366 x 768
	Colors	16.7MB
	Active Area (W x H)	409.8mm x 230.4mm (16.13"x 9.07")
	Backlight	LED
	MTBF	30000hrs
	Pixel Pitch(H x V)	0.300 x 0.300
	Luminance	250cd/m <sup>2</sup>
Touchscreen	Contrast Ratio	1000 : 1
	Viewing Angle	(L) 85 / (R) 85 / (T) 80 / (B) 80
	Type	Multi-point capacitive touch screen
	Transmittance	> 87%
	Controller interface	USB
	Driver Support	Windows7, Windws 8, Windows 10, Linux
	Multi-touch	10 points (windows system)
Environmental	Surface Hardness	Mohs' Number 7H
	Work Temperature	0 ~ 45°C (32~113 °F ) 0 ~ 45°C (32~113 °F ) (General temperature HDD/SSD)
	Storage Temperature	-20 ~ 60°C (-4 ~ 140 °F )
	Relative humidity	5~95% (Non condensation)
	Shake	SSD applied: 1.5 Grms, IEC 60068-2-64, random, 5 ~ 500 Hz, 1 hr/axis
	Shock	SSD applied: 10 G, IEC 60068-2-64, Half-sine wave, 11ms duration
	EMC	CE/FCC Class A
Water-proof	Front panel IP65	

Dimensions:



Ordering Information:

Product Code	Description
TPC6000-C1852W-N	18.5"LCD/Intel® Celeron™ Bay Trail J1900 quad-core Processor(2.0 GHz)/No Memory/No Hard Disk/6*RS-232(Optional 1*RS-232 or 485)/2 Gigabit Ethernet ports/4*USB2.0/Capacitive touch screen/1366*768/DC12V input/Two-year warranty

Optional Equipment:

Option	Adapter 12V/60W 2 pin Phoenix terminal
Option	Chinese standard Power Line 1.8m
Standard	8*Hooks
Standard	Manufacturer Certificate
Standard	Warranty Card
Standard	Random Listing