

ISF108P

Industrial Switch

Introduction

The ISF108P 8-port industrial Ethernet switch supports IEEE 802.3 and IEEE 802.3u/x with 10/100M full/half-duplex, MDI/MDI-X auto-sensing, and IEEE802.3af/at PoE standard.

The ISF108P has been designed to comply with industrial standards. With wide operating temperature ranging from -40 to 75°C, IP50 rated housing, and 48VDC redundant dual power input, the ISF108P is able to work in variable industrial environments.



Features

- 8-port 10/100TX Compact Fast Ethernet Switch
- 8 PoE Ports with IEEE802.3af/at standard
- 45~58VDC redundant dual power inputs
- IP50 rated aluminum housing
- -40 to 75°C operating temperature range



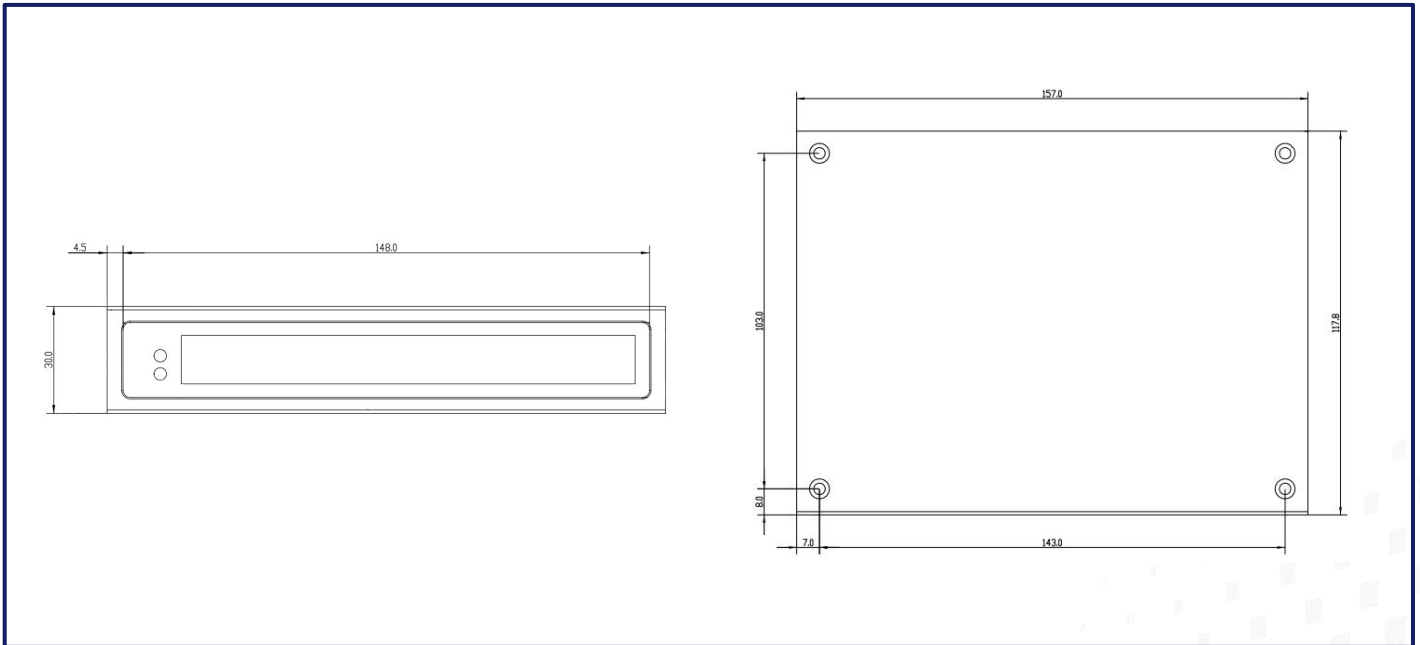
Specifications

PORT	10/100M BASE-T RJ45	8 ports
	Power over Ethernet	IEEE 802.3af/at, 120W power budget
Performance	Switching capacity	1.6Gbps
	Auto-negotiation	YES
	Auto-MDI/MDIX	YES
Power supply	Input range	45~58VDC, Redundant dual power inputs
	Connection	1 removable 4-contact terminal block(s)
	Overload Current Protection	Supported
	Reverse Polarity Protection	Supported
LED	Port LED	Green: link/active; Yellow: poe
Mechanical	Dimension (W x D x H) mm	158*118*35
	Installation	DIN-rail mounting
	Heat dissipation	Fanless and natural cooling design
	IP Rating	IP50
Environment	Operating Temperature	-40 to 75°C (-40 to 167°F)
	Storage Temperature	-40 to 85°C (-40 to 185°F)
	Operating Humidity (non-condensing)	5 to 95% (non-condensing)
	Storage Humidity (non-condensing)	5 to 95% (non-condensing)
	Environmental Regulation Compliance: WEEE	Supported
	Environmental Regulation Compliance: RoHS	Supported
Standards and Certifications	EMC	EN 55032/24
	EMI	CE, CISPR 32, FCC Part 15B Class A
	EMS	IEC 61000-4-2 ESD: Contact: 6 kV; Air: 8 kV IEC 61000-4-3 RS: 80 MHz to 1 GHz: 10 V/m IEC 61000-4-4 EFT: Power: 2 kV; Signal: 1 kV IEC 61000-4-5 Surge: Power: 2 kV; Signal: 2 kV IEC 61000-4-6 CS: 10 V IEC 61000-4-8 PFMF
	Safety	EN 60950-1, EN 60950-1 (LVD)
	Shock	IEC 60068-2-27
	Vibration	IEC 60068-2-6
	Freefall	IEC 60068-2-31

Product view



Dimensions



Order Information

Model	Description
ISF108P	8-port Fast Ethernet Switch with PoE/PoE+; 8FE/PSE, slim type.