

15" Fanless Aluminum IP66 Protection Touch Panel PC with Intel® Core® i5-7200U/ i3-7100U Processor



Features

- 15" TFT XGA LED Panel with Projected Capacitive/Resistive Touch Display
- Embedded Intel® Core® i5-7200U 3.1 GHz Processor
- System Memory up to 32 GB DDR4 2133 SDRAM
- Supports Aluminum Front Cover IP66 Protection
- Internal SATA 2.5" HDD and M.2 Socket
- Panel and VESA Mounting

Applications

- Human Machine Interface (HMI)
- Factory / Manufacturing Automation
- ATM / Self-service / Kiosk Applications
- Vending Machine / Ticketing Machine

→ Packing List

| Description |
|--------------------------------|
| 1 x PPC-N157 |
| 1 x Power Adapter & Power Cord |
| 10 x Panel Mounting Screws |

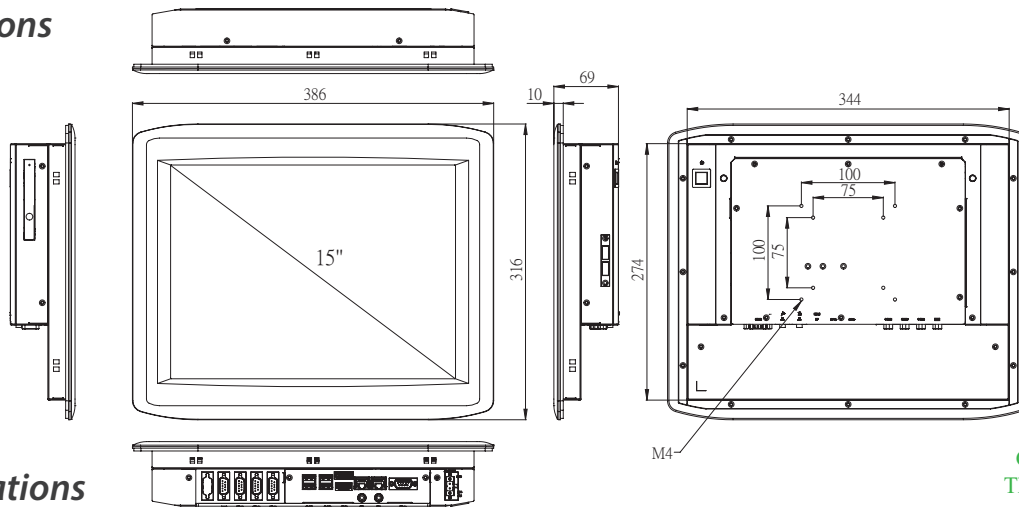
→ Optional Items

| Part No. | Description |
|-----------|--|
| AWD-3G002 | 3G (HSPA+) Module + 1 Antenna, Full-size |
| AWD-4G001 | 4G (LTE) Module + 2 Antennas, Full-size |
| AWD-WF001 | Wi-Fi 802.11 bgn (1T1R) + 1 Antenna (Single band), Half-size |
| AWD-WF003 | Wi-Fi 802.11 abgn/ac/BT4.0 (2T2R) Module + 2 Antennas (Dual band), Half-size |
| AWD-WF004 | Wi-Fi 802.11 b/g/n + BT4.0(1T1R) + 2 Antenna(Single band), M.2 2230 Type |
| AWD-WF005 | Wi-Fi 802.11 a/b/g/n/ac/BT4.0 (2T2R) + 2 Antenna(Dual band), M.2 2230 type |

→ Ordering Information

| Part No. | Description |
|---------------|--|
| PPC-N157P-1A1 | 15" Fanless P-Cap Touch Panel PC with Intel® Core® i5-7200U, 2 DDR4, 2 GbE, 4 USB 3.0, 3 RS-232, 1 RS-232/422/485, 8bits GPIO, line out, mic in, 1 HDMI, 1DP, DC 9~36V, Phoenix Connector |
| PPC-N157P-2A1 | 15" Fanless P-Cap Touch Panel PC with Intel® Core® i3-7100U, 2 DDR4, 2 GbE, 4 USB 3.0, 3 RS-232, 1 RS-232/422/485, 8bits GPIO, line out, mic in, 1 HDMI, 1DP, DC 9~36V, Phoenix Connector |
| PPC-N157R-1A1 | 15" Fanless 5-wire Resistive Touch Panel PC with Intel® Core® i5-7200U, 2 DDR4, 2 GbE, 4 USB 3.0, 3 RS-232, 1 RS-232/422/485, 8bits GPIO, line out, mic in, 1 HDMI, 1DP, DC 9~36V, Phoenix Connector |
| PPC-N157R-2A1 | 15" Fanless 5-wire Resistive Touch Panel PC with Intel® Core® i3-7100U, 2 DDR4, 2 GbE, 4 USB 3.0, 3 RS-232, 1 RS-232/422/485, 8bits GPIO, line out, mic in, 1 HDMI, 1DP, DC 9~36V, Phoenix Connector |

→ Dimensions



→ Specifications

| Model | | PPC-N157P-1A1 | PPC-N157P-2A1 | PPC-N157R-1A1 | PPC-N157R-2A1 |
|------------------|---|---|------------------------|------------------------|------------------------|
| Processor System | CPU | Intel® Core® i5-7200U | Intel® Core® i3-7100U | Intel® Core® i5-7200U | Intel® Core® i3-7100U |
| | Frequency | Dual-Core up to 3.1GHz | Dual-Core up to 2.4GHz | Dual-Core up to 3.1GHz | Dual-Core up to 2.4GHz |
| | L2 Cache | 3 MB | | | |
| | System Chipset | N/A | | | |
| | BIOS | UEFI | | | |
| Memory | Technology | DDR4 2133 MHz SDRAM | | | |
| | Max. Capacity | 32 GB | | | |
| | Socket | 2 (260-pin SO-DIMM) | | | |
| Display | Panel Size | 15" LED Panel | | | |
| | Resolution | 1024 x 768 (XGA) | | | |
| | Viewing Angle | 80 x 80 (H) x 80 x 80 (V) | | | |
| | Brightness | 300 (cd/m2) | | | |
| | Color Support | 16.7M | | | |
| | Contrast Ratio | 600:1 | | | |
| | Response Time | 8 (msec) | | | |
| | DP | DP 1.2, Up to 3840 x 2160 @ 60Hz, | | | |
| | HDMI | HDMI 2.0a, up to 4096 x 2160 @ 60Hz | | | |
| | Multi Display | LCD + HMDI or LCD + DP | | | |
| Touchscreen | Touchscreen Type | Projected Capacitive | | 5-Wire Resistive | |
| | Surface Hardness | 7 Mohs | | 3 Mohs | |
| | Durability | - | | 36 millions times | |
| | Transparency | 90% (±3%) | | 80% (±3%) | |
| I/O Interface | USB | 4 USB 3.0 | | | |
| | Serial Port | 4 COM (3 RS-232, 1 RS-232/422/485) | | | |
| | Digital I/O | 8-pin Digital I/O (DB-15 connector) | | | |
| Expansion | 1 miniPCIe with SIM, 1 M.2 2230 A/E Key (Wifi & BT) | | | | |
| Ethernet | Controller | Dual GbE, 10/100/1000 Mbps (Intel i219V, i211AT) | | | |
| Audio | Chipset | Realtek High Definition Audio (HD) | | | |
| | Connector | Line out, Mic In | | | |
| Storage | M.2 | Supports 1 M.2 B/M Key 2280 | | | |
| | SATA III | 2 Internal 2.5" HDD/SSD (support RAID 0/1), Swappable HDD Box (Option) | | | |
| Power | Power Adaptor | Supports 9-36 V DC input | | | |
| | Connetor Type | 2-pin Terminal Block | | | |
| | Power Consumption (Typical) | 1.22A @ 12V (14.68W) | | | |
| | Power Consumption (Max) | 2.43A @ 12V (29.53W) | | | |
| | Battery | Lithium 3V / 210 mAh | | | |
| Environment | Operating Temperature | -20~60° C (-4~140° F) w/ Extended Operation Temp. RAM & 2.5" SSD | | | |
| | Storage Temperature | -40~85° C (-40~185° F) | | | |
| | Humidity | 5~95% @ 40° C, non-condensing | | | |
| | Vibration | 5-500 Hz, 0.026 G ² /Hz, 2.16 Grms, X, Y, Z, 1 hour per axis | | | |
| | Certification | CE,FCC Class A | | | |
| General | Ingress Protection | Aluminum Front Cover IP66 Protection | | | |
| | Dimensions (L x W x H) | 386 x 316 x 69 mm (15.19" x 12.44" x 2.71") | | | |
| | Weight | 4.2 kg (9.25lb) | | | |
| | Operating System | Windows 10 IoT | | | |