

PRIME PANEL PICO ATTACHMENT 13.3" / 15.6" THE MULTITOUCH PANEL PC FOR DEMANDING TASKS

FACT SHEET

- IPC easy to configure in hardware and software
- Flexible and extensive connectivity
- High operational safety by robust system design and IP65



Housing

Passive, fanless cooling.
Modern design, "form follows function".
Optional with logo and color ident.



Glass Front

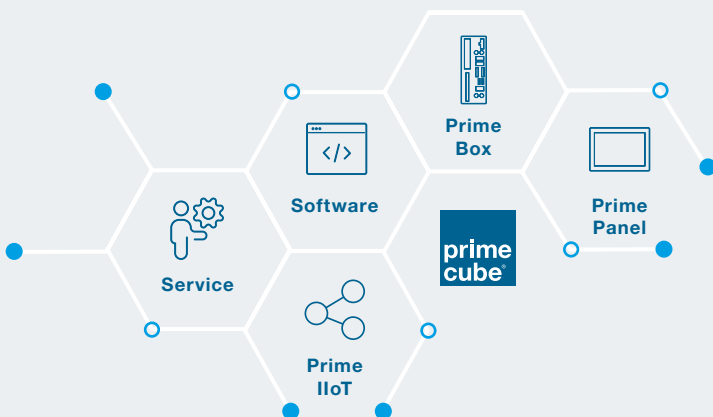
Optimum readability, low reflections.
Scratch-resistant.
Easy to clean.



Touch

High operational safety - even under disturbing influence.
EMC-stable 4-finger operation, glove operation (cat. 1) pre-parameterized.
Specific parameterization such as palm suppression or working gloves inhouse.

THE MODULAR SYSTEM PRIME CUBE®



Modular

Customized solutions of industrial computer technology with all advantages of standard products: Validated platforms, short development process, optimum price-performance ratio.



High Quality

For 24/7 operation in an industrial environment.
Reliable and robust.
Long-term available (10 years), with 36 months of warranty.



Application-oriented & Customizable

BASE / STYLE / CUSTOM

We are your partner in the complete solution process of industrial computer technology.

From sensor application to tool monitoring in the machine and from embedded computing systems to a future-oriented IoT gateway concept we represent all product steps with our product brands Prime Cube® and BK Mikro®. At our headquarters in Neuhausen ob Eck (Baden-Württemberg) our 170 employees develop and manufacture customized computer systems: from hardware and software to assemblies and complete systems - innovative force "Made in Germany".



PRIME PANEL PICO ATTACHMENT 13.3" / 15.6"

TECHNICAL DATA

prime
cube®

DESIGN	PRIME PANEL PICO ATTACHMENT	
	13.3"	15.6"
Model Code	PPH1100AD_133	PPH1100AD_156
Dimensions (WxHxD)	354.8 x 226.2 x 80.5 mm	405.9 x 255.4 x 80.5 mm
Weight	4.20 kg	5.35 kg
Housing	Aluminium front frame, powder-coated. Aluminium rear panel, powder-coated. Aluminium computer core with heat sink, anodized. Hardened and AR-coated front glass. Designed for mounting to a VESA mounting.	
Protection Class	IP65 acc. EN 60529 all around.	
Display	FHD display, 1920 x 1080 pixel, 16:9, optional HD resolution	
Size		
Luminance (typ.)	400 cd/m ²	450 cd/m ²
Contrast Ratio (typ.)	800	800
Viewing Angle (typ.)	89/89/89/89°	85/85/85/85°
Lifetime Lighting (min.)	50,000 h	50,000 h
Touch	Projected Capacitive Touch (PCT), 4-finger operation, up to 10-finger operation optional. Specific parameterization possible inhouse.	
Processor	Intel® Atom x7-E3950, Quad Core, 1.6 GHz	
Working Memory	Up to 8 GB DDR3L, 1600 MHz 1x SODIMM	
Mass Storage	1x mSATA 64 GB - 512 GB, flash memory Further memory sizes and flash technologies available.	
Extensions	1x mPCIe full size 1x DSUB 9 pol	
Removable Storage (optional)	1x SD card holder. Optional incl. SD-card.	
Interfaces (Mainboard)	2x GbE LAN, separate controllers, Intel® I210-AT 4x USB 3.0 1x DP 1x HDMI	
Interfaces (extendable)	DSUB 9 pol	1x RS232/422/485 (standard configuration)
	mPCIe	1x CAN, 1-fold DSUB 9 pol (Profibus, Profinet and further fieldbusses feasible) 1x WLAN and BLUETOOTH (integrated at front side or external antennae) 1x mobile radio 1x 2-fold USB 3.0, external
Battery	Buffer battery externally exchangeable	
Voltage Supply	24 V DC (12...32 V DC)	
Operating System	Windows 10 IoT Enterprise LTSC 2021 LINUX 64 bit: Debian 10 distribution	
Ambient Temperature*	-10 °C ... +45 °C with natural convection -10 °C ... +50 °C ** from 0.4 m/s air flow	
Storage Temperature	-20 °C ... +60 °C	
Humidity	20 % ... 90 %, non-condensing	
EMC Immunity	Industrial area acc. EN 55024 & EN 61000-6-2	
EMC Emission	Industrial area acc. EN 55032 class A	
Shock	15 g: 11 ms and 25 g: 6 ms acc. DIN EN60068-2-27	
Vibration	2 ... 9 Hz: 3.5 mm amplitude, 9 ... 200 Hz: 1 g acc. EN 60068-2-6	
Warranty	36 months	
Approvals	CE; UL in testing; acc. UL 61010-2-201 & CSA C22.2 no. 61010-2-201	

* Functional system test at maximum ambient temperature and the highest possible internal heat load.

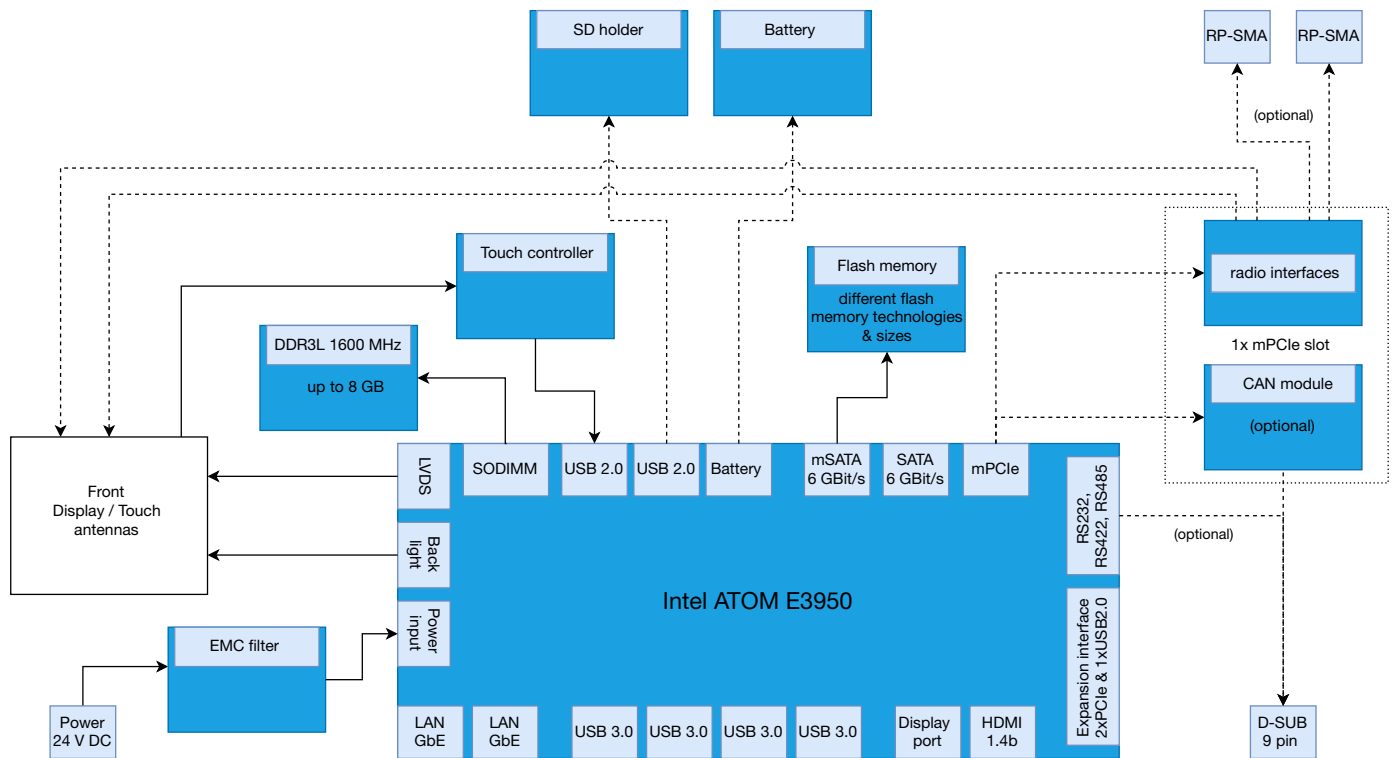
** not evaluated by UL.

Please find dimensional drawings as downloads on our [website](#). 3D-models on request via e-mail to vertrieb@schubert-system-elektronik.de.

Version 1.09 / 2023 © Schubert System Elektronik GmbH. All rights and modifications reserved. All data are non-binding and do not ensure any properties. Pictures/representations may also include special equipment or accessories. We assume no liability for printing errors. The company names, names and logos used are largely protected by copyright and/or trademarks, even if not explicitly marked as such. All product names used are brand names and/or trademarks of the respective manufacturers.

PRIME PANEL PICO ATTACHMENT 13.3" / 15.6"

CIRCUIT DIAGRAM



Please find dimensional drawings as downloads on our [website](#). 3D-models on request via e-mail to vertrieb@schubert-system-elektronik.de.

Version 1.09 / 2023 © Schubert System Elektronik GmbH. All rights and modifications reserved. All data are non-binding and do not ensure any properties. Pictures/representations may also include special equipment or accessories. We assume no liability for printing errors. The company names, names and logos used are largely protected by copyright and/or trademarks, even if not explicitly marked as such. All product names used are brand names and/or trademarks of the respective manufacturers.