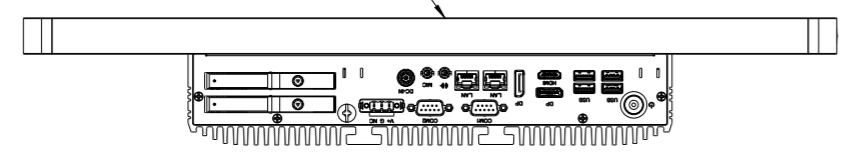
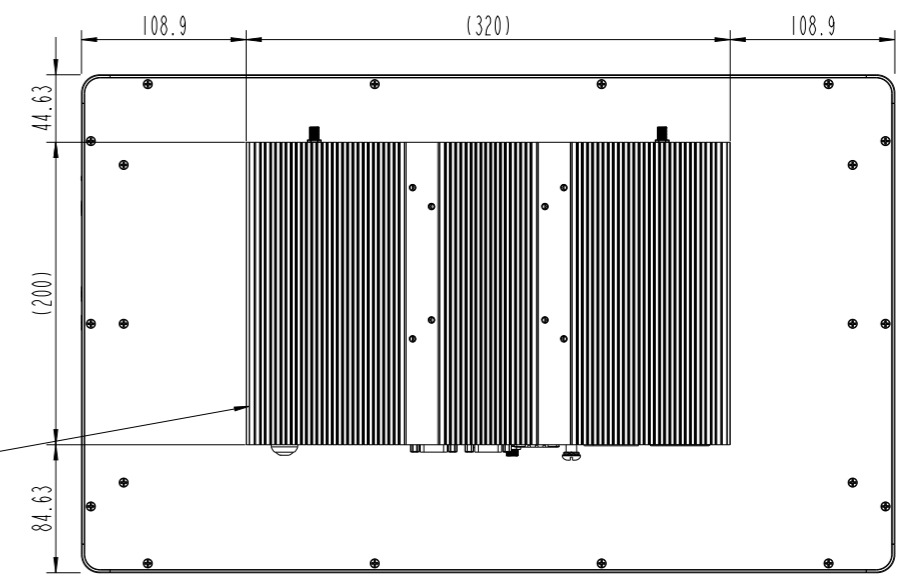
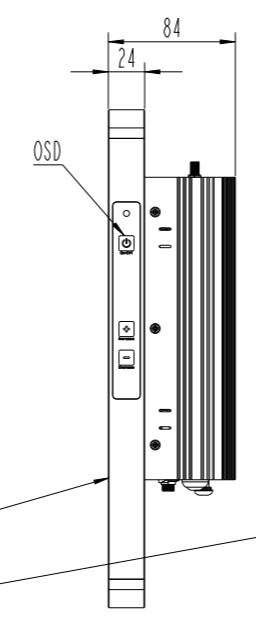
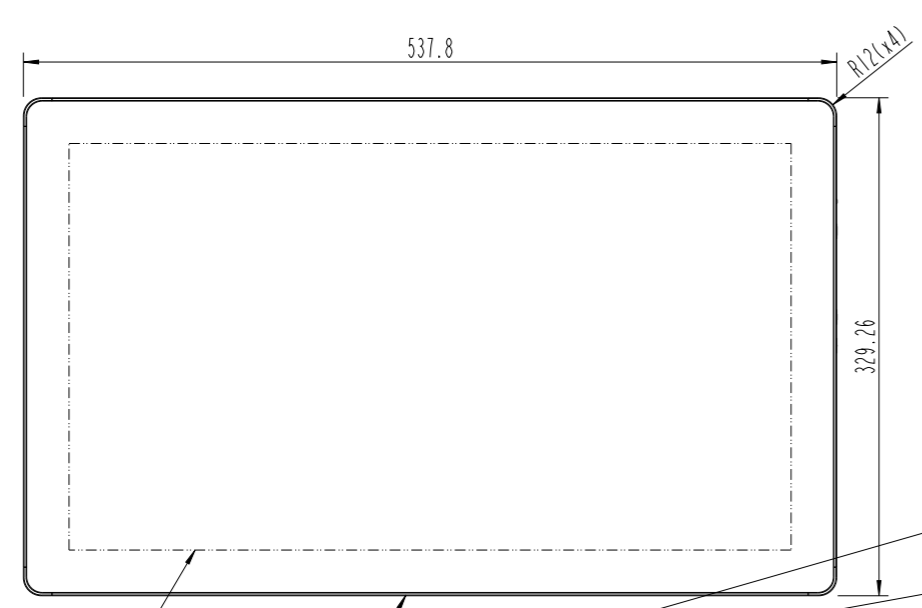
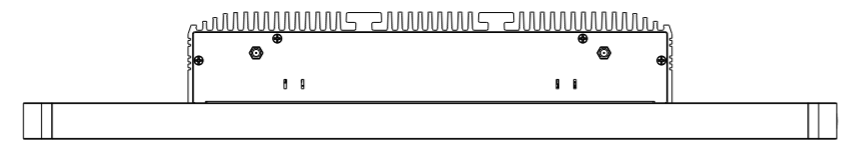


Note : 本零件為綠色環保材料, 禁止使用危害環境之物質

REVISIONS					
REV.	PART NUMBER	DESCRIPTION	DESIGNER	CHECK	DATE
①					
②					
③					



ALUMINUM

P-CAP

LPC-P215W-2A xMT SERIES								-		537.8 x 329.26 x 84.0 mm		
MODEL NAME								PART NUMBER		REMARK		
UNSPECIFIED TOLERANCE								DESIGNER	Eric Lin 2023/10/2			
								CHECK	-			
0~8	±0.05	±0.1	±0.1	±0.2	±0.2	±0.4	±0.4	APPROVAL	-	PART NUMBER	-	
8~25	±0.08	±0.15	±0.15	±0.3	±0.3	±0.6	±0.6	MATERIAL	-	PART NAME	OUTLINE DIMENSIONS	
25~250	±0.12	±0.2	±0.25	±0.4	±0.5	±0.8	±1.0	COLOR	-	SCALE	1:5	
250~800	±0.25	±0.3	±0.4	±0.6	±0.8	±1.2	±1.5	FINISH	-	UNIT	mm	
800>	±0.5	±0.6	±0.8	±1.0	±1.5	±2.0	±3.0	REV.	01	SIZE	A3	